

W
H
E
L
A
N



Thermoboil
7.5 Lt. - 60 Lt.



Econoboil
2.5 Lt. - 5 Lt.

Australian
Design
and
Manufactured

Whelan the company you can trust
with over 30 years in the manufacture of
Boiling Water Units.

The Whelan Econoboil & Thermoboil combine the traditional boiling water technology with a contemporary outer casing to create stunning wall mounted units that are reliable and simple to work with. The classic features you look for in a boiling water unit such as automatic operation, non-drip outlet tap, steam free operation, over temperature cut-out protection and concealed plumbing option are all included in the design.

Optional extras

Additional outlets, swivel extension arms, filters and colour or stainless steel finishes are all available upon request.

Units requiring additional outlets will be supplied in white colourbond steel casing.

Warranty

The Whelan Econoboil and Thermoboil carry a one year warranty on faulty materials and workmanship.

SELECTION CHART

To select the correct size unit for your needs simply determine how many cups of boiling water are required at any one time, then choose the corresponding model from the chart below.

Model No.	No. of cups served	Total kW	Cup/Hr Recovery	Phase	Voltage	Height mm	Width mm	Depth mm
EDC 2.5	13	1.8	80	1	240	355	255	160
ECD 5	25	2.4	110	1	240	470	330	160
TH 7.5	38	2.4	110	1	240	580	450	180
TH 10	50	2.4	110	1	240	580	450	180
TH 15	75	2.4	110	1	240	650	450	260
TH 20	100	3.0	135	1	240	650	450	260
		4.8	220	2	240			
		7.2	320	3	240			
TH 25	125	3.0	135	1	240	750	450	260
		4.8	220	2	240			
		7.2	320	3	240			
TH 30	150	3.0	135	1	240	750	450	260
		4.8	220	2	240			
		7.2	320	3	240			
TH 50*	250	4.8	220	2	240	800	600	260
		7.2	320	3	240			
TH 60*	300	4.8	220	2	240	800	600	240
		7.2	320	3	240			

*All these units will be supplied in white colourbond steel casing

How to specify Whelan Econoboil & Thermoboil

To have:-

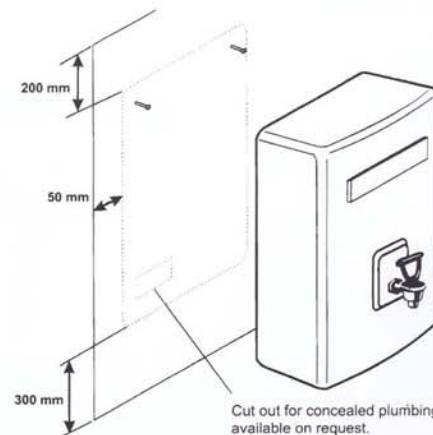
- *Thermostat control of automatic operation
- *In-built excess steam protection with manual reset
- *Ability for concealed plumbing and electrical connection
- *Tomlinson non-drip tap fitted
- *Heat isolation on critical metering device

Distributed by

W.A. DISTRIBUTORS: Kevin J. Mort Distributors
11 Belmont Avenue, Belmont. Western Australia 6104
Phone: (08) 9277 7177 Fax: (08) 9277 7700

Manufactured by: Aust. Dynamic Products P/L Trading as Whelan Industries A.B.N. 70 074 166 984
 214-224 Wellington Road, Mulgrave, Victoria 3170. Telephone: (03) 9560 9000 Fax: (03) 9560 2233
 Email: sales@whelanindustries.com.au www.whelanindustries.com.au

Installation



Cut out for concealed plumbing available on request.